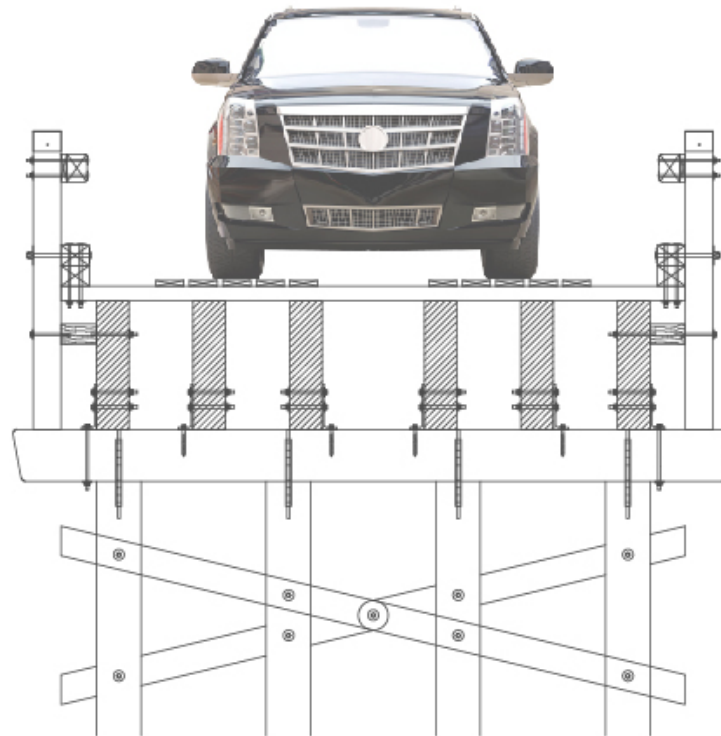


■ Lightweight Vehicular Use



www.ybc.com/timber-bridge-load-capacities-uses/

Disclaimer: This diagram is strictly intended to conceptually illustrate the general terms of loading concepts. It is not to be considered representative of official bridge engineering principles nor should be used for any purpose beyond diagrammatic illustration for a generic understanding of load distribution information. All Bridges require individual engineering by a licensed professional engineer of record, this diagram is not intended for substitution of any requirements.