

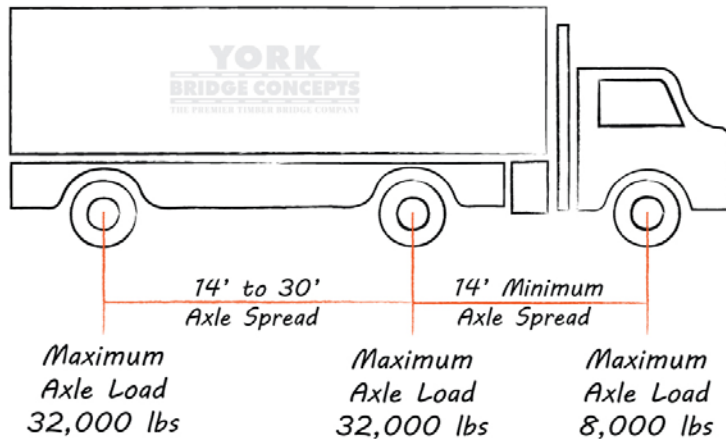


Timber Bridge Load Capacities

HS20

Axle Quantity	Gross Vehicular Weight (GVW)	Per Axle Loading	Axle Spread	CAD Files	Project Links
3 Axles	72k lbs/36 Tons	8k lbs - 32k lbs - 32k lbs	Min 14' Axle Spread; 14' to 30' Variable Axle Spread		



Disclaimer: This diagram is strictly intended to conceptually illustrate the general terms of loading concepts. It is not to be considered representative of official bridge engineering principles nor should be used for any purpose beyond diagrammatic illustration for a generic understanding of load distribution information. All Bridges require individual engineering by a licensed professional engineer of record, this diagram is not intended for substitution of any requirements.



Coastal Club - Lewes, DE



Cooper River - Charleston, SC